

### Applications

- DSSS 5 GHz WLAN (IEEE802.11a)
- Access Points, PCMCIA, PC cards

### Features

- High output power amplifier 19.5dBm
- Only 1 external component required
- Integrated power amplifier enable pin (VEN)
- Buffered, temperature compensated power detector
- 3% EVM, @19.5dBm, 64 QAM, 54 Mbps
- 30 dB Gain
- Lead Free, Halogen Free and RoHS compliant package
- 16 pin 3 mm x 3 mm x 0.9 mm QFN

### Ordering Information

Part Number	Package	Remark
SE2537L	16 Pin QFN	Samples
SE2537L-R	16 Pin QFN	Tape and Reel
SE2537L-EK1	Evaluation Kit	Standard

### Product Description

The SE2537L is a 5GHz power amplifier offering high linear power for wireless LAN applications. It incorporates a power detector for closed loop monitoring and control of the output power.

The SE2537L offers extreme integration for a simplified design, providing quicker time to market and higher application board production yield. The device integrates the input match, the inter-stage match, a partial output match, the power detector with 20dB of dynamic range and a 3.2GHz notch filter. Two external components are required to complete the design.

For wireless LAN applications, the device meets the requirements of IEEE802.11a and delivers approximately 19.5dBm of linear output power.

For high performance applications, the SP1,2 ports are available to connect an optional external capacitor to enhance dynamic EVM performance.

The SE2537L bias control establishes the reference voltage required for proper operation and allows enabling and disabling of the power amplifier.

### Functional Block Diagram

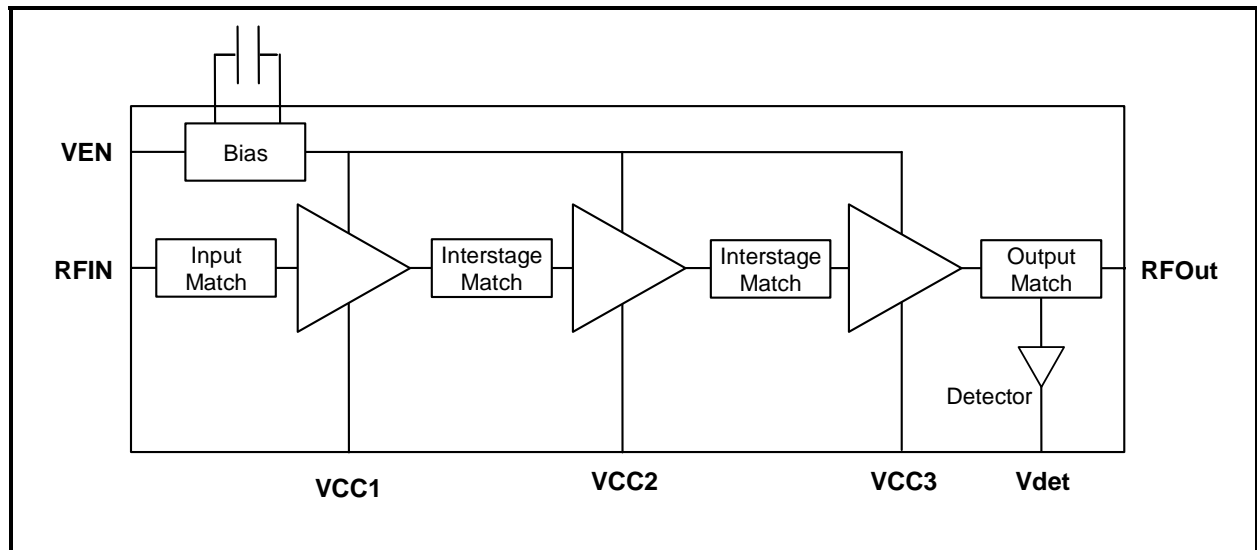


Figure 1: Functional Block Diagram

<http://www.sige.com>

Email: [sales@sige.com](mailto:sales@sige.com)

**Customer Service Locations:**

North America:  
1050 Morrison Drive, Suite 100  
Ottawa ON K2H 8K7 Canada

Phone: +1 613 820 9244  
Fax: +1 613 820 4933

Hong Kong  
Phone: +852 3428 7222  
Fax: +852 3579 5450

San Diego  
Phone: +1 858 668 3541 (ext. 226)  
Fax: +1 858 668 3546

United Kingdom  
Phone: +44 1279 464217  
Fax: +44 1279 464201

Product Preview

The datasheet contains information from the product concept specification. SiGe Semiconductor, Inc. reserves the right to change information at any time without notification.

Preliminary Information

The datasheet contains information from the design target specification. SiGe Semiconductor, Inc. reserves the right to change information at any time without notification.

Production testing may not include testing of all parameters.

Information furnished is believed to be accurate and reliable and is provided on an "as is" basis. SiGe Semiconductor, Inc. assumes no responsibility or liability for the direct or indirect consequences of use of such information nor for any infringement of patents or other rights of third parties, which may result from its use. No license or indemnity is granted by implication or otherwise under any patent or other intellectual property rights of SiGe Semiconductor, Inc. or third parties. Specifications mentioned in this publication are subject to change without notice. This publication supersedes and replaces all information previously supplied. SiGe Semiconductor, Inc. products are NOT authorized for use in implantation or life support applications or systems without express written approval from SiGe Semiconductor, Inc.

Copyright 2009 SiGe Semiconductor, Inc.  
All Rights Reserved

